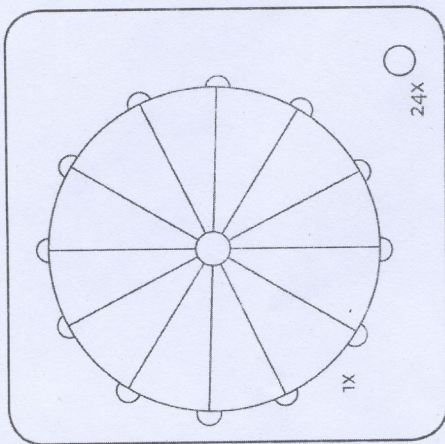


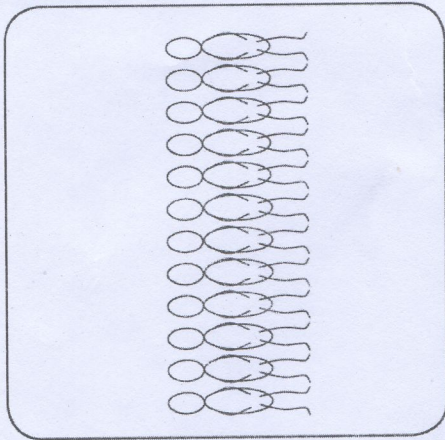
Parachute

GA133

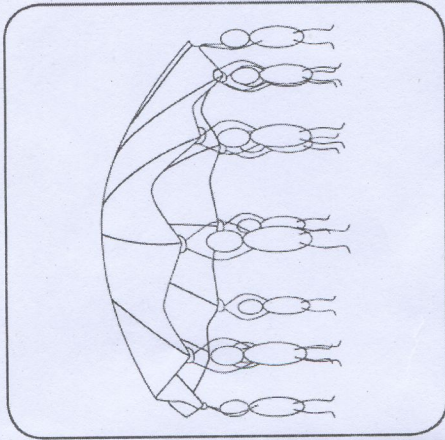
Buitenspeel®



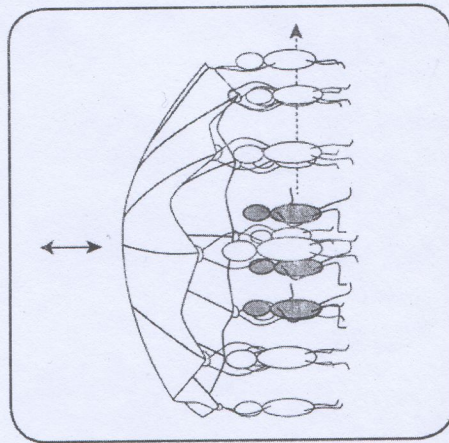
This game contains one parachute and 24 balls.



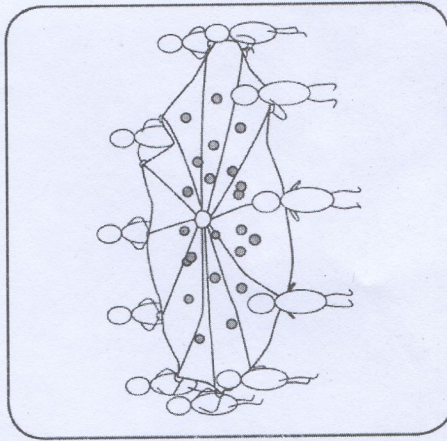
Each player holds a handle. If you play with less than 12, some players have to hold two handles. A lot of different games can be played with the parachute. We explain some of them to you.



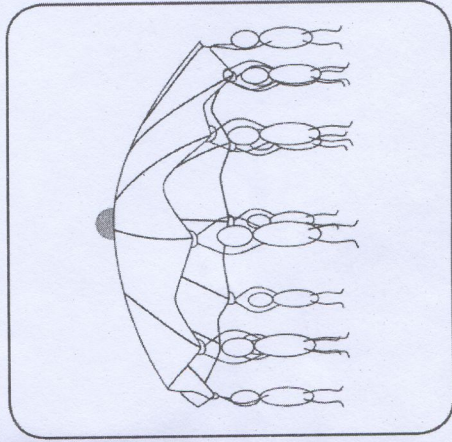
Try to make the parachute go up by. Work together to keep the parachute filled with air.



Let the parachute go up and bring it back to the ground. Let some players try to run under the parachute without touching it.



Play with the balls that are included. Throw them in the air, spin them around or let them roll from one side to the other.



Put a big ball in the middle. Let the parachute go up and down and try to keep the ball in the middle of the parachute.

NL WAARSCHUWING! Niet geschikt voor kinderen beneden 3 jaar wegens kleine onderdelen die afgetrokken en ingeslikt kunnen worden. **DE** WARNUNG! Nicht für Kinder unter 3 Jahren wegen abreis- und verschluckbare Kleinteile. **FR** ATTENTION! Ne convient pas pour des enfants de moins de 3 ans en raison de petites pièces qui peuvent être arrachées et avalées.

EN WARNING! Not suitable for children under 36 months. Danger of choking due to small parts that may be swallowed. **DK** ADVARSEL! Ikke egnet til børn under 3 år på grund af mindre dele, som kan trækkes af og sluges. **IT** ATTENZIONE! Non adatto a bambini di età inferiore a 3 anni. Pericolo di soffocamento poiché piccole parti potrebbero essere ingerite. Rischio di lesioni! **ES** ¡ADVERTENCIA! No apto para niños menores de 3 años, debido a piezas pequeñas que podrían tragarse e ingerir.